

EV-AHD7720D

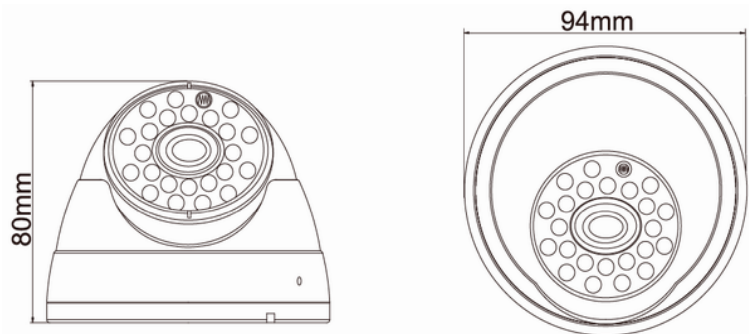


Features

- ◆ Plastic IR Dome Camera
- ◆ 25/30fps@720P (AHD) Color Camera
- ◆ 1/4" OmniVision 1.0 MP CMOS Sensor
- ◆ 24 pcs ϕ 5mm IR-LED, IR Range 20M
- ◆ Plastic IR Dome Camera
- ◆ Built-in 3.6 mm ICR Lens(6mm is Optional)



Size Chart



Specifications

Model Name	EV-AHD7720D
Image Device	1/4" OmniVision 1.0 MP CMOS Sensor
CMOS Sensor	AR0130
DSP Device	NVP2431H
Picture Elements	1280(H) \times 720(V) ,720P
Min. Illumination	0.01Lux@F1.2(0Lux IR LED on)
TV System	PAL/NTSC
Lens Furnished	3.6 mm ICR Lens(6mm is Optional)
Infrared Luminary	24 pcs* ϕ 5 IR-LED
Illuminate Distance	20 M
Wavelength	850 nm
S/N Ratio	More than 48dB
Electronic Shutter	4/25s~1/45,000s
OSD Menu	Optional
Day/Night	Auto(ICR)/B&W/Color
Sync. System	Internal
Video Output	1 Vp-p / 75 Ohms
Power Supply	DC12V \pm 10%
Operation Temperature	-10 $^{\circ}$ C ~ +50 $^{\circ}$ C RH95% Max
Dimension	105.98 \times 63.28 mm
Weight	600g