

YGS[®]

YGS[®]
www.yglock.com



Zhongshan Yangge Lock Industry Co., Ltd.

A / No. 2-3, First Cross Street, West Tailong Road, Yifeng Industrial Zone,
Jidong'er, Xiaolan Town, Zhongshan, Guangdong, China (Mainland)

T / 0086-760-22112259

F / 0086-760-22112785

E / sunlight@yglock.com



YGS[®]

About us

Established in June 2000, "YGS" is a leading manufacturer of electronic door locks from Zhongshan China. The company owned more than 50 patents and passed ISO9001:2008 international quality system certification in 2005. Product range includes hotel door lock, residential door lock, fingerprint door lock, electromagnetic lock, drop bolt lock, door closer, energy saving switch etc.

Main projects of YGS electronic door lock include: 2010 Shanghai World Expo, 2010 Guangzhou Asian Game, 2011 Shenzhen Universiade and Nanning ASEAN Expo etc. Company products are widely used and sold in domestic China (with more than 100 domestic offices and distributors) and overseas markets (with more than 30 countries and regions, such as Southeast Asia, Middle East, South America, Russia, Europe, America, Africa etc.)

As an electronic door lock top brand, gaining more and more good reputation at home and abroad, YGS still strives to improve our technology and management system to meet more and more international market requirements. We always keep ourselves prepared for your security business.



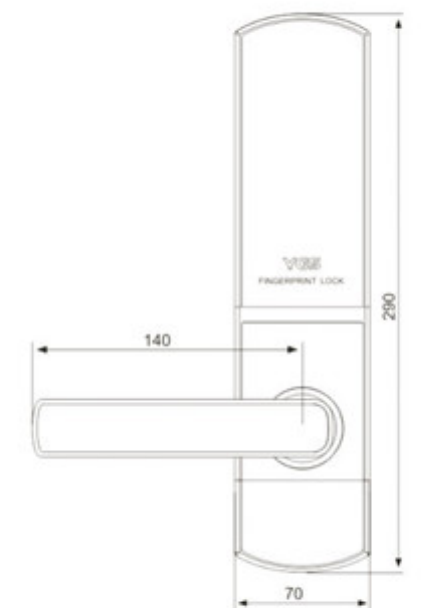
HONOURS OF YGS

Certificates





YGS8852



Residential lock series YGS8852

- 3 access solutions: fingerprint, password, mechanical key.
- It is a high-tech fingerprint recognition system that uses fingerprint that has no risk of replication and unauthorized use.
- The colored LEP on keypad enables easy viewing at night and makes the device look better for the users.
- User capacity: 83 fingerprints + 5 passwords;
- One time password is convenient for friend or relative's visit.
- Users can add any figures before or after the valid password, effectively avoid password being peeped.
- System exits automatically after 15sec without any operation;
- External power supply and mechanical keys are both available for emergency.
- Strong mortise: full stainless steel material and immediate locking after door is closed.
- Anti-tampering alarm, passage mode, low power alarm are all available.
- Fingerprint + password dual access mode greatly increases security level.



YGS8855



Residential lock series YGS8855

- 3 access solutions: password, mifare-1 card, mechanical key;
- Total unlocking information: 5 passwords + 82 cards;
- One time password is convenient for friend or relative's visit;
- A fake password can be made for security;
- System exits automatically after 15sec without any operation;
- Anti-tampering alarm, passage mode, low power alarm;
- A mechanical key can unlock in case of emergency;
- Intelligent voice navigation is easy for lock setting;
- System exits automatically after 15sec without any operation;
- Secure latch can protect from any break-in attempts.

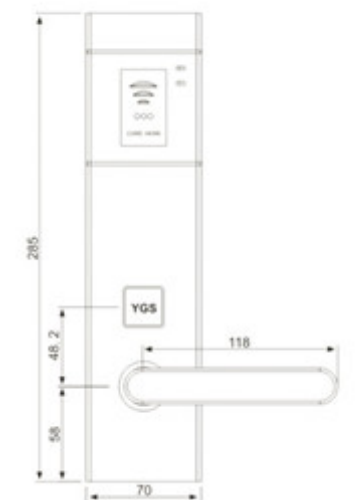




Residential lock series YGS8850



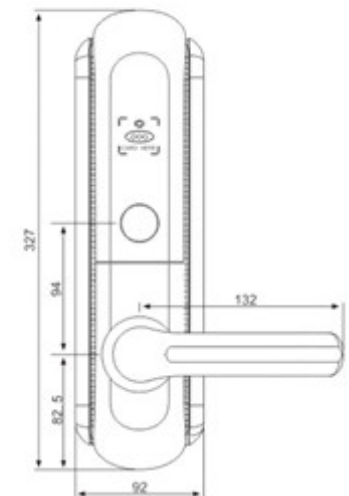
- Zinc alloy material with high quality surface.
- Hierarchical management: setup card—user card.
- High security: the intelligent key can't be reproduced or decoded. If the key is lost, the key can be canceled immediately.
- Simple setup: initialize the lock—make setup card—make user card
- Deletion function: setup card can be used to delete any door cards with its authority respectively.
- Passage mode, door ajar alert, low power alert are all available.
- International five-latch mortise structure.
- Emergency unlocking: the lock can be opened by 9V power supply or mechanical key in emergency.
- The user card can be made in the lock directly. No requiring computer or software.





Hotel Electronic Lock Series YGS9912

- Material: Zinc alloy
- Surface: Gold plated/Silver plated
- Japanese "MABUCHI" motor with a durability of over 500 000 cycles;
- Anti-tamper trim handle with free moving clutch mechanism;
- Low power alarm, door ajar alarm, anti-tampering alarm;
- 1000 audit trail, convenient for hotel management;
- Green and red LED lights display every lock status;
- High-speed proximity reader recognizes cards in less than 0.25sec;
- Panic function, handle retracts deadbolt and latch from inside;
- Hotel version can be switched to residential version easily;



Hotel Electronic Lock Series

YGS9913

- Material: Zinc alloy
- Surface: Gold plated / Silver plated
- Japanese "MABUCHI" motor with a durability of over 500 000 cycles;
- Anti-tamper trim handle with free moving clutch mechanism; Low power alarm, door ajar alarm, anti-tampering alarm;
- 1000 audit trail, convenient for hotel management;
- Green and red LED lights display every lock status;
- High-speed proximity reader recognizes cards in less than 0.25sec;
- Panic function, handle retracts deadbolt and latch from inside;
- Hotel version can be switched to residential version easily;



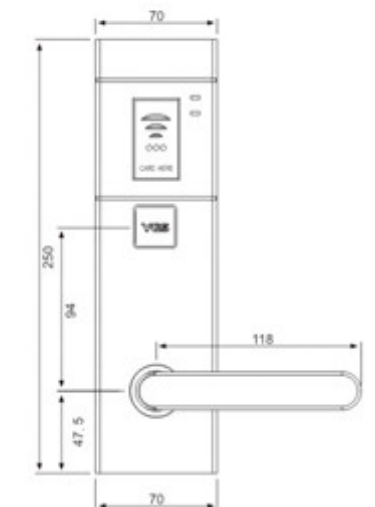
Hotel Electronic Lock Series



Hotel Electronic Lock Series

YGS9910

- Material: Zinc alloy
- Surface: Gold plated / Silver plated / Black
- Japanese "MABUCHI" motor with a durability of over 500 000 cycles;
- Anti-tamper trim handle with free moving clutch mechanism;
- Low power alarm, door ajar alarm, anti-tampering alarm;
- 1000 audit trail, convenient for hotel management;
- Green and red LED lights display every lock status;
- High-speed proximity reader recognizes cards in less than 0.25sec;
- Panic function, handle retracts deadbolt and latch from inside;
- Hotel version can be switched to residential version easily;





Hotel Electronic Lock Series

YGS9916

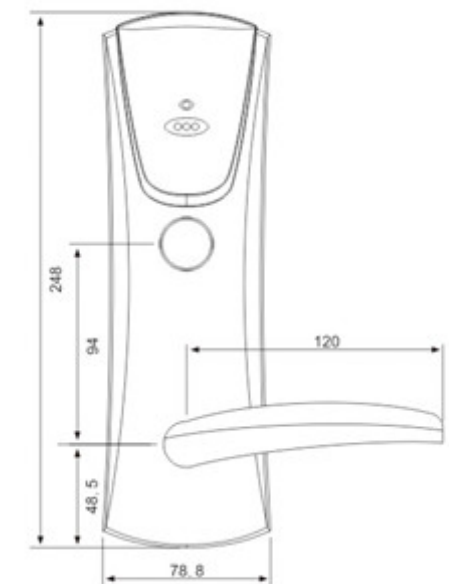
- Material: Aluminium alloy & Acrylic
- Surface: Black with silver edge or gold edge
- Japanese "MABUCHI" motor with a durability of over 500 000 cycles;
- Anti-tamper trim handle with free moving clutch mechanism;
- Low power alarm, door ajar alarm, anti-tampering alarm;
- 1000 audit trail, convenient for hotel management;
- Green and red LED lights display every lock status;
- High-speed proximity reader recognizes cards in less than 0.25sec;
- Panic function, handle retracts deadbolt and latch from inside;
- Hotel version can be switched to residential version easily;



Hotel Electronic Lock Series

YGS9920

- Material: Zinc alloy
- Surface: Gold plated / Silver plated
- Japanese "MABUCHI" motor with a durability of over 500 000 cycles;
- Anti-tamper trim handle with free moving clutch mechanism;
- Low power alarm, door ajar alarm, anti-tampering alarm;
- 1000 audit trail, convenient for hotel management;
- Green and red LED lights display every lock status;
- High-speed proximity reader recognizes cards in less than 0.25sec;
- Panic function, handle retracts deadbolt and latch from inside;
- Hotel version can be switched to residential version easily;

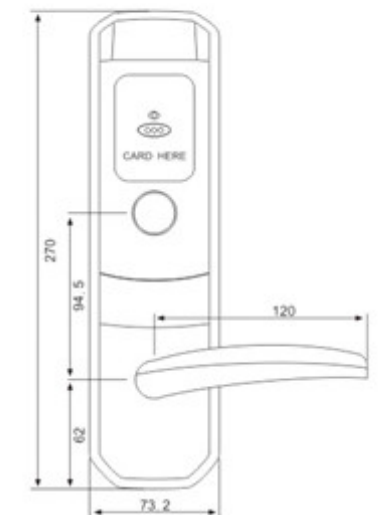




Hotel Electronic Lock Series

YGS9931

- Material: Zinc alloy
- Surface: Chrome / Satin Nickel / Polished Gold
- Japanese "MABUCHI" motor with a durability of over 500 000 cycles;
- Anti-tamper trim handle with free moving clutch mechanism;
- Low power alarm, door ajar alarm, anti-tampering alarm;
- 1000 audit trail, convenient for hotel management;
- Green and red LED lights display every lock status;
- High-speed proximity reader recognizes cards in less than 0.25sec;
- Panic function, handle retracts deadbolt and latch from inside;
- Hotel version can be switched to residential version easily;

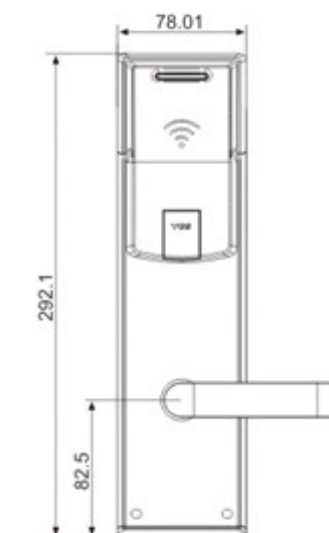




Hotel Electronic Lock Series

YGS9936

- Material: Stainless Steel
- Surface: Gold / Silver
- Japanese "MABUCHI" motor with a durability of over 500 000 cycles;
- Anti-tamper trim handle with free moving clutch mechanism;
- Low power alarm, door ajar alarm, anti-tampering alarm;
- 1000 audit trail, convenient for hotel management;
- Green and red LED lights display every lock status;
- High-speed proximity reader recognizes cards in less than 0.25sec;
- Panic function, handle retracts deadbolt and latch from inside;
- Hotel version can be switched to residential version easily;

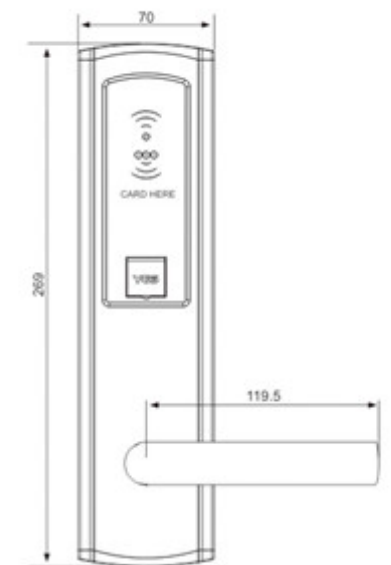




Hotel Electronic Lock Series

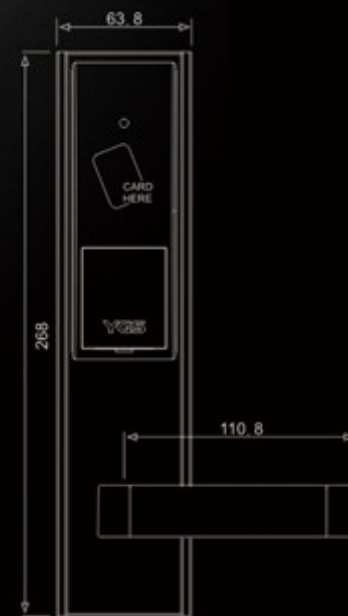
YGS9935

- Material: Stainless Steel
- Surface: Gold / Silver
- Japanese "MABUCHI" motor with a durability of over 500 000 cycles;
- Anti-tamper trim handle with free moving clutch mechanism;
- Low power alarm, door ajar alarm, anti-tampering alarm;
- 1000 audit trail, convenient for hotel management;
- Green and red LED lights display every lock status;
- High-speed proximity reader recognizes cards in less than 0.25sec;
- Panic function, handle retracts deadbolt and latch from inside;
- Hotel version can be switched to residential version easily;



YGS9932

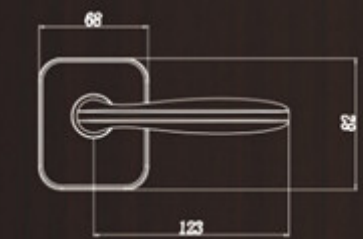
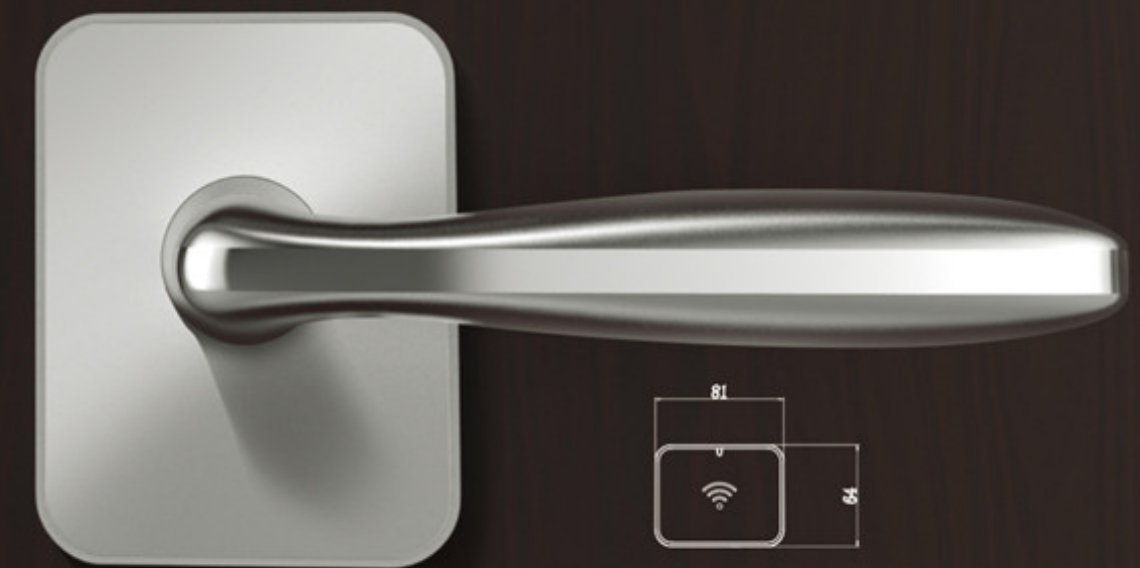
- Material: Aluminium alloy
- Surface: Gold / Silver
- Japanese "MABUCHI" motor with a durability of over 500 000 cycles;
- Anti-tamper trim handle with free moving clutch mechanism;
- Low power alarm, door ajar alarm, anti-tampering alarm;
- 1000 audit trail, convenient for hotel management;
- Green and red LED lights display every lock status;
- High-speed proximity reader recognizes cards in less than 0.25sec;
- Panic function, handle retracts deadbolt and latch from inside;
- Hotel version can be switched to residential version easily;



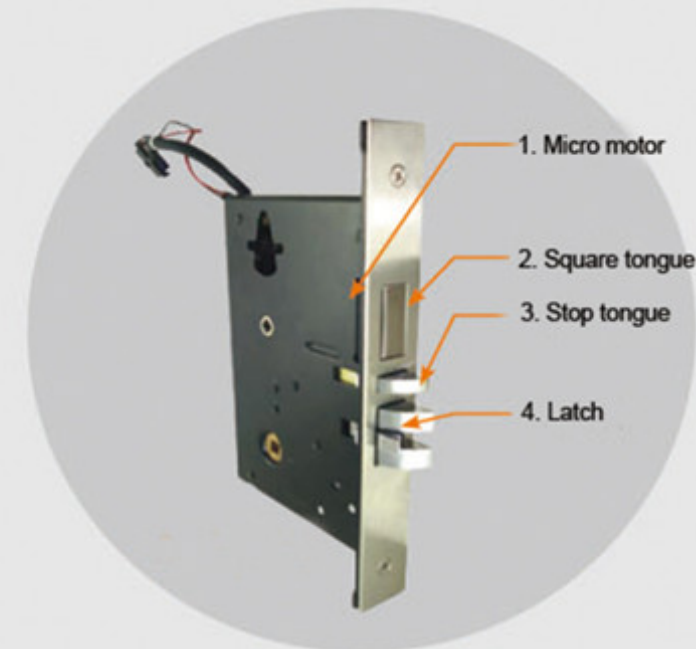
YGS9901



- Material: Zinc alloy
- Surface: Gold / Silver
- Japanese "MABUCHI" motor with a durability of over 500 000 cycles;
- Anti-tamper trim handle with free moving clutch mechanism;
- Low power alarm, door ajar alarm, anti-tampering alarm;
- 1000 audit trail, convenient for hotel management;
- Green and red LED lights display every lock status;
- High-speed proximity reader recognizes cards in less than 0.25sec;
- Panic function, handle retracts deadbolt and latch from inside;
- Hotel version can be switched to residential version easily;



Mortise Introduction



Lock body NO.2

1. Micro-motor

Micro-motor groupware is cam driving design which structure is simple and stable. It can increase the using life of motor and decrease the consuming of battery.

2. Square tongue

Adopt international standard design and middle uvula's buffer structure design, flexible and durable.

3. Stop tongue

Adopting anti-insert structure design ensure safe, reliable.

4. Latch

With windproof function, normal opening status and anti-picklock function, door opening record

5. Suitable for hotel lock series

No.5 Lock Case

Bi-directional braking mortise (Patent No.: 201120099224.4)

1.Main tongue

All stainless steel lock tongue with intensified structure improves rigidity by 5 times, makes the main tongue more solid and durable.

2.Secure tongue

This tongue enables opening from inside only, especially suitable for resting at night or staying in room without disturbance.

3.Latch

Normally-closed latch locks the door even main tongue is forgotten to be extended, completely ensures the security of your house. And its inward/outward direction is adjustable.

4.Micro-motor

Adopt Japan famous brand MABUCHI micro-motors which occupy 60% shares all over the world, ensures a durability over 500 000 cycles.

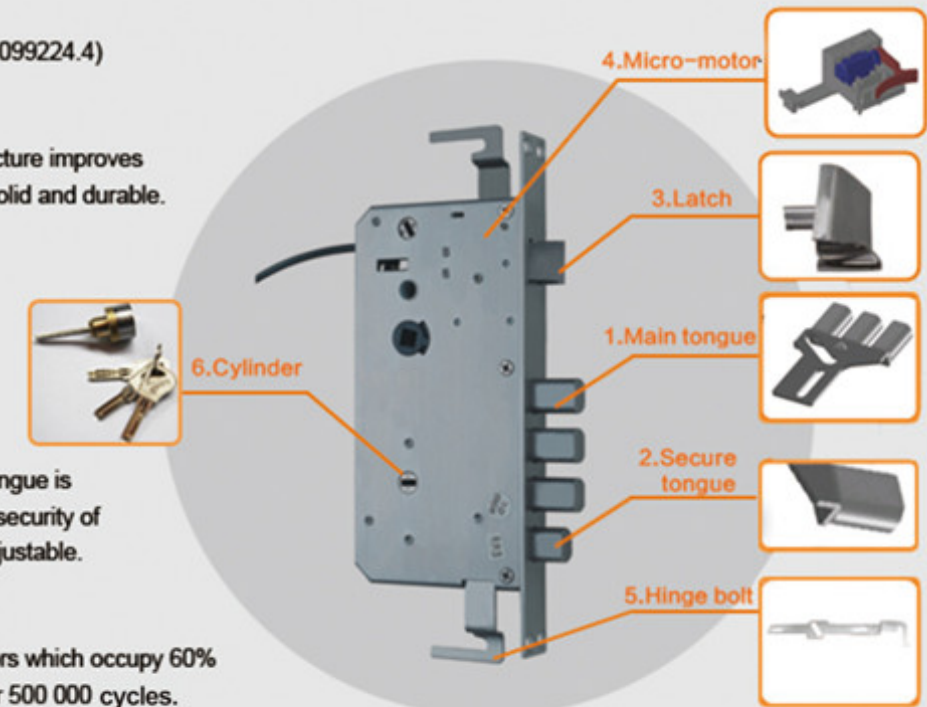
5.Hinge bolt

In order to meet different customer's demand, up and down bolt design work with burglar-proof door. Its size is same with burglar-proof door's size.

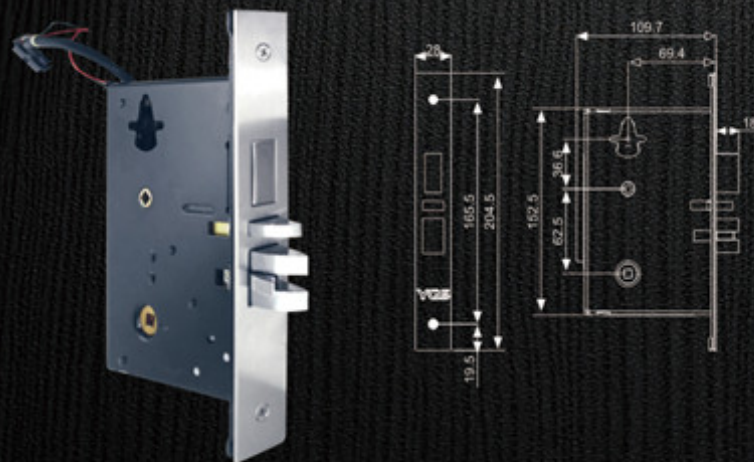
6.Cylinder

Anti pick cylinder enables mechanical key unlocking in case of emergency.

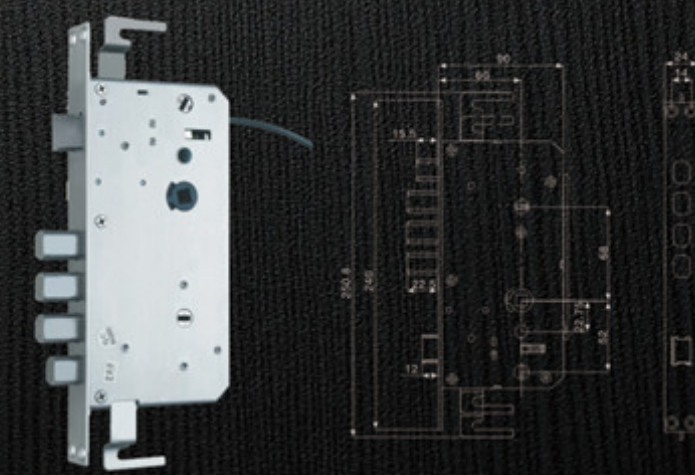
7. Suitable for YGS8852, YGS8855 series



Lock body NO.5



NO.2 Lock case



NO.5 Lock case

System Composition



YGS software is workable on most Windows-based PCs. Simply insert the installation CD-ROM and follow the prompts. Installation can finish within 2 mins.
 - System also uses industry standard TCP/IP network protocol, allowing properties to plug into their existing Ethernet networks. Different Check-in terminals can share the latest database at the same time.

Compatible servers:

- Windows XP Professional
- Windows 2008 Standard Edition

Compatible workstations:

- Windows 2000
- Windows 2003
- Windows XP Professional
- Windows 7
- Windows Vista



Card encoder: With auto card detection, this state-of-the-art, compact RFID contactless reader and writer supports MIFARE (ISO 14443A) keycards. Ideal for use with multiple stations.



Multi-function data collector: Output audit trail; Input lock information, Check card information; Remote check-in etc; This portable device serves as a small computer to settle all emergency issues around the hotel and make an excellent impression to all customers.



Mifare-1 S50 card: Durable contact-free Philips Mifare technology provides the highest security for all your key cards. Optional plastic key fobs, stylish Mifare wristwatches and epoxy stickers are available.



Mifare-1 S70 Data card (Optional): High inside capacity enables the card acts as data medium, can download and upload both lock and computer information data easily.

Elevator Controller



Product Features

- Card type: Mifare card;
- Card detecting distance: 10~50mm;
- Sharing same management software with hotel lock;
- 3 control modes: uncontrolled mode, floor control, floor & time control;
- Access control to certain floors can be cancelled during specific periods;
- Over 2000 entries record;
- Mini External reader is available for neat lift panel;
- Uncontrolled mode and access control mode can be interchanged by reading cards;

Technical Parameters

Power supply	12VDC
Current	1000mA
Card type	Mifare card
Detecting distance	10~50mm
Input	N/A
Output	16 groups of normally-closed (NC) contacts 16 groups of normally-open (NO) contacts
Working environment	Working Temperature: -10~70°C Storage Temperature: -25~125°C Humidity: 5%~95%

Energy saving Switch



Energy saving switch allows maximum energy savings without sacrificing guest comfort. Whenever the guests leave their rooms, they will take out the card from the switch and the room power will be cut down automatically. Switch card and room card can be the same card. This would greatly help hotels shorten the pay-back period and prevent the fire-disaster.

Wall reader for common areas

This access controller provides access control on common areas, i.e. parking lot, sauna room, conference room, office etc. Holding one keycard, customers and staffs can get access to both common areas and guest rooms.



Our Customers

